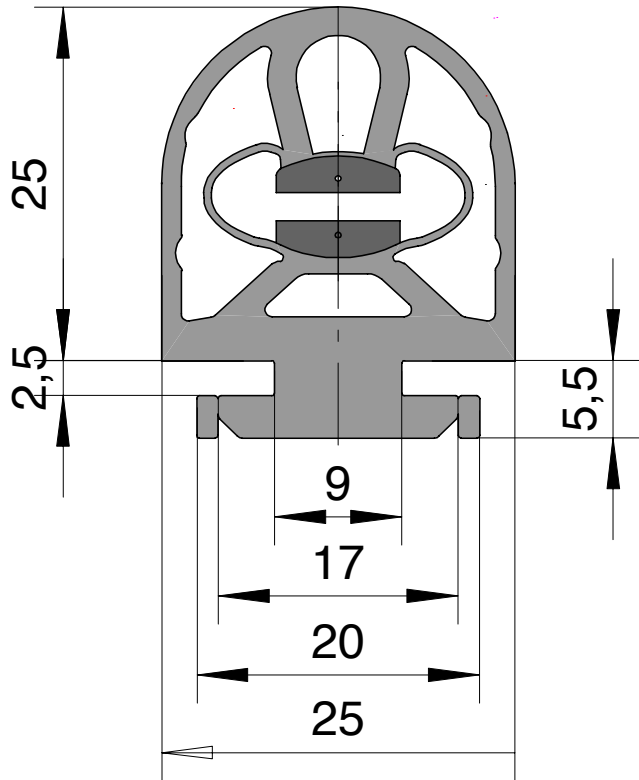

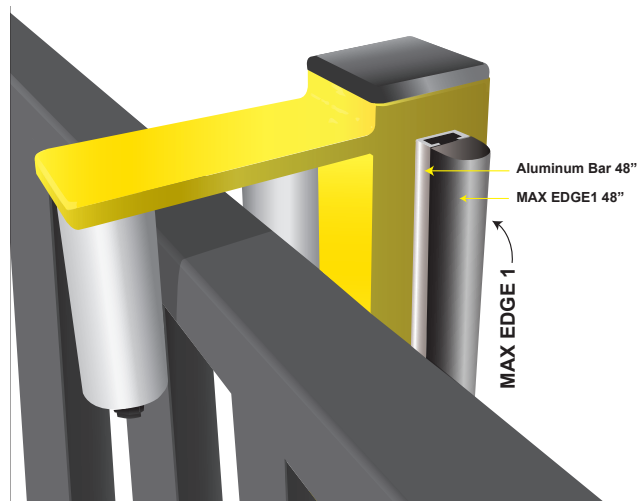


MAX EDGE 1

www.MAX.US.com



Made in	Germany 
Length	48"
Attachment Hardware	48" Aluminum Bar
Material	EPDM Rubber
Activation Force	Soft Touch Engagement
Operating Temperature	-25° +75° -13°F +167°F
Rainproof	Both ends
Length of Attachment Cable	5 M / 15 FT
Cable Material	PUR matt schwarz
Multidirectional Sensing	Yes
Warranty	1 Year
Maintenance	Free



Maximum Controls introduces the Max Edge 1...a maintenance free, easy to install, high quality, reversing, edge sensor with a large cushioned surface area that is used in automobile manufacturing plants and other critical industrial applications. The Max Edge 1 operates at extreme temperature ranges and is perfectly suited for slide gates where safety is imperative. Maximum Controls offers a reliable, cost effective, slide gate edge solution for UL 325 2016 compliance.