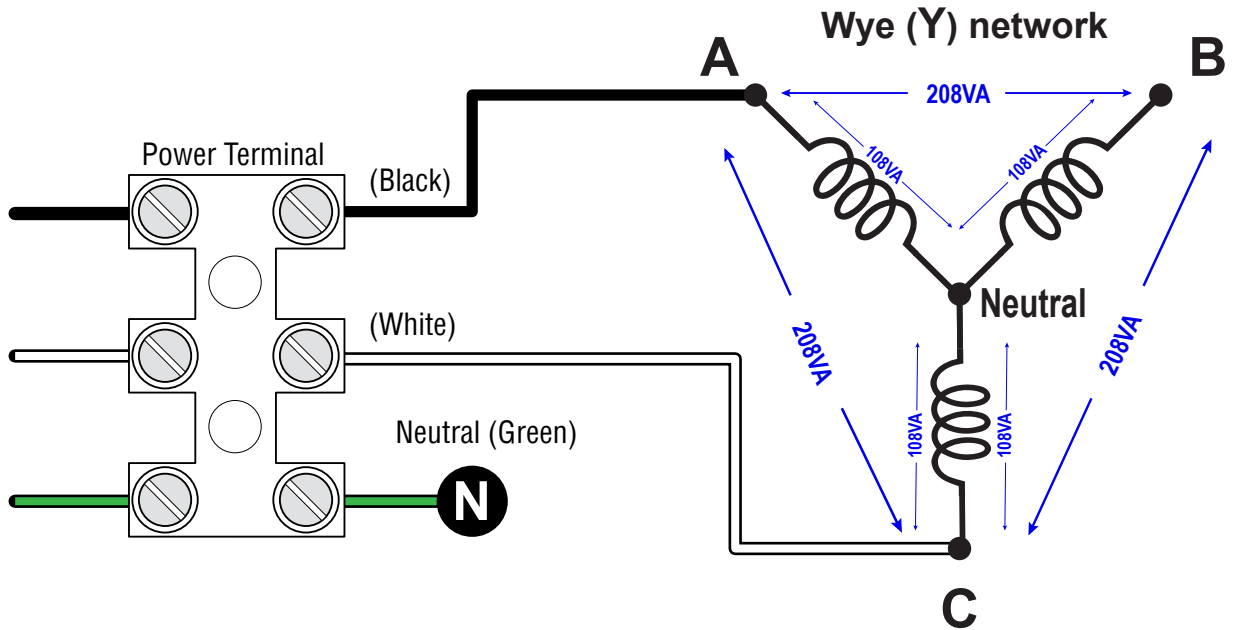


220 VAC 3 PHASE POWER CONNECTION

2 CONFIGURATION
WYE & DELTA



Delta (Δ) network

