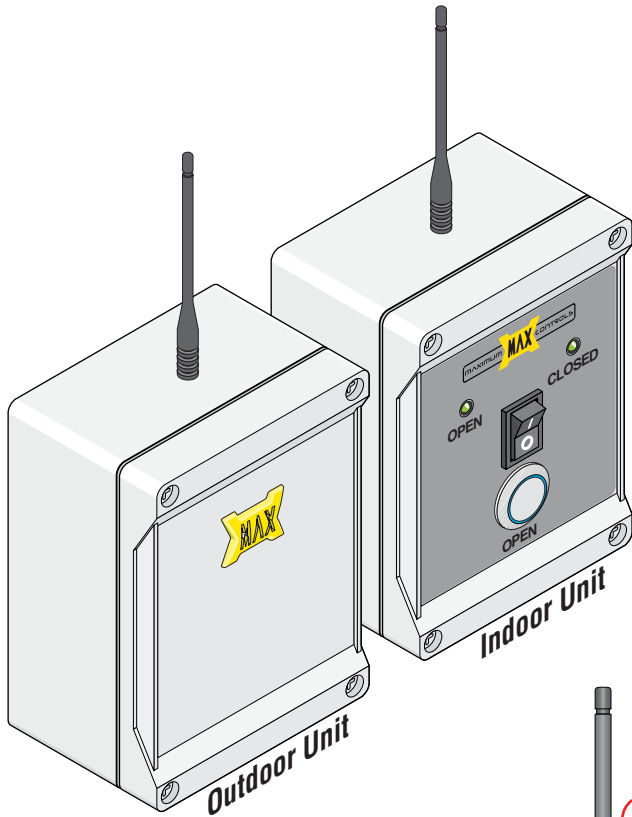


MAX Wireless Open Button/Latching Switch



The MAX wireless Open Button/Latching Switch is designed to wirelessly **OPEN** or **CLOSE** a gate. It will also monitor the position of the gate with the LEDs.

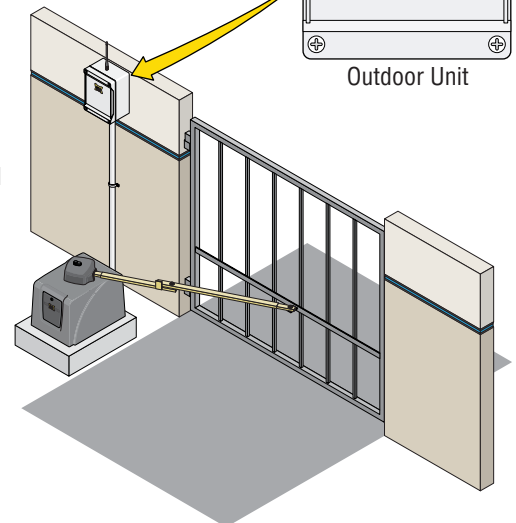
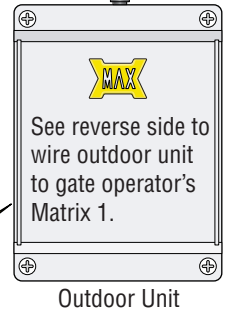
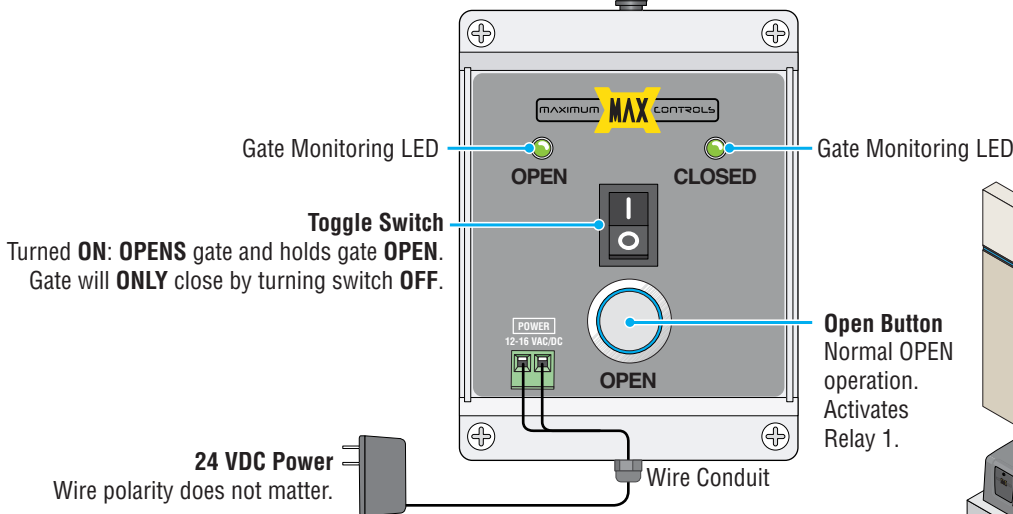
The Open Button is used for normal daily operation. Press it to open the gate. Auto-close timer on gate operator will close the gate. If auto-close timer is turned OFF, press open button again to close gate.

Turning the Toggle Switch **ON** will latch gate **OPEN** (Hold Open) and the gate can **ONLY CLOSE** by turning toggle switch **OFF**.

Install the indoor unit in a secure place protected from the elements. The outdoor unit gets installed at the gate operator within 3500 feet (Line-of-Sight) of the indoor unit. It can be exposed to the elements. Do not drill any extra holes in the boxes when mounting or running wires to them.

(((900MHz Robust Signal)))
Up to 3500 ft using Line-of-Sight

INDOOR UNIT



Mount Indoors

in a secure place **NOT** exposed to the elements.
ONLY use existing 4 holes to mount box.
DO NOT drill any extra holes in box.

MAX Wireless Open Button/Latching Switch



OUTDOOR UNIT

