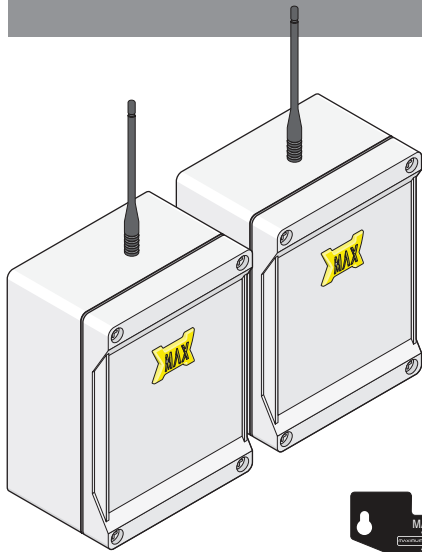
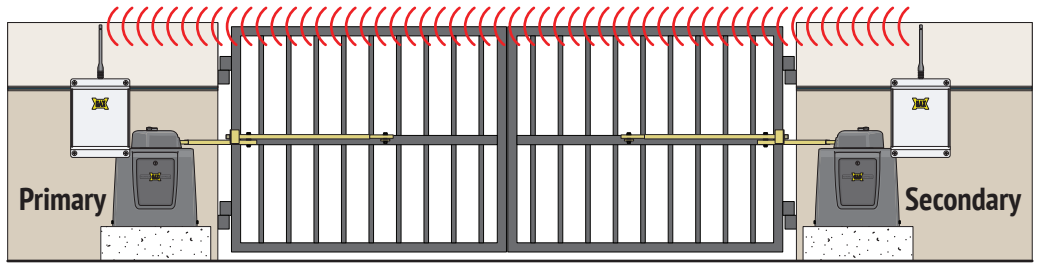


MAX Wireless RS-485



The MAX wireless RS-485 is designed to wirelessly communicate between the **PRIMARY** gate operator (Matrix 1) and the **SECONDARY** operator (MC-200).



PRIMARY Gate Operator Matrix 1

SECONDARY Gate Operator MAX MC-200

900MHz Robust Signal
Up to 1 Mile using Line-of-Sight

Polarity does not matter.

24 VDC

Signal QUALITY:

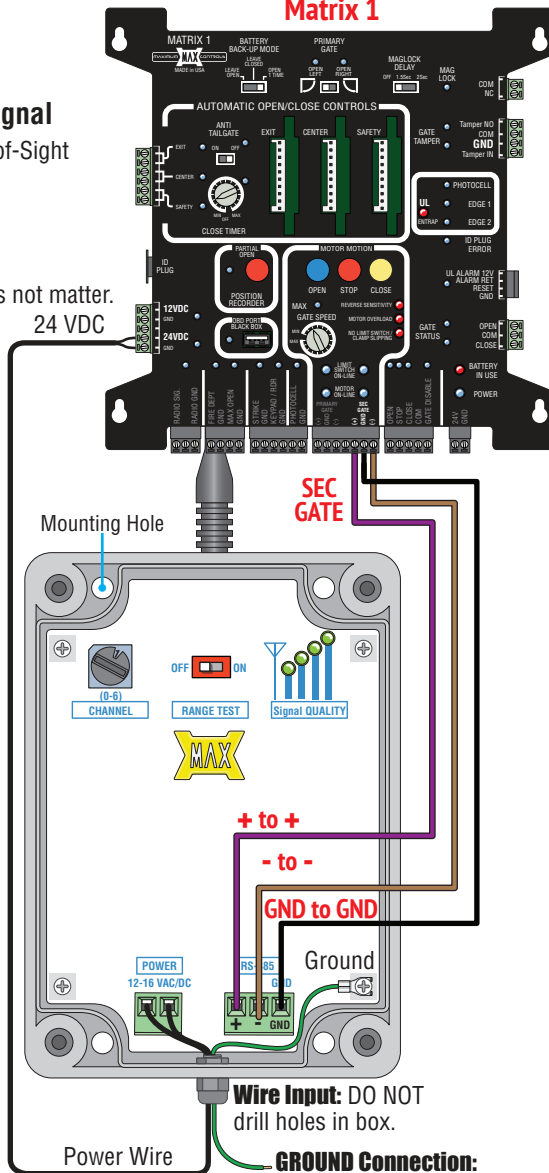
- 4 - Excellent
- 3-4 - Good
- 2-3 - Poor

RANGE TEST:

Channels **MUST** match on both units.
Must remain **OFF** during normal operation.

CHANNEL:

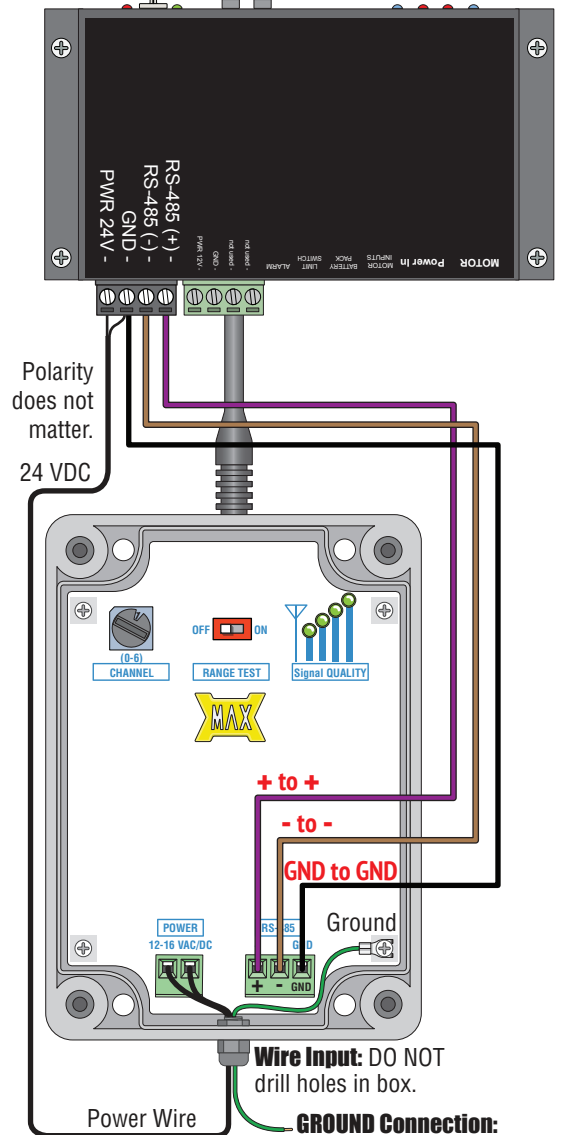
ONLY use channels 0 thru 6.
Channels **MUST** match on both units.



Wire Input: DO NOT
drill holes in box.

GROUND Connection:

All inputs are lightning protected when box is properly grounded.



Polarity does not matter.
24 VDC

Wire Input: DO NOT
drill holes in box.

GROUND Connection:

All inputs are lightning protected when box is properly grounded.